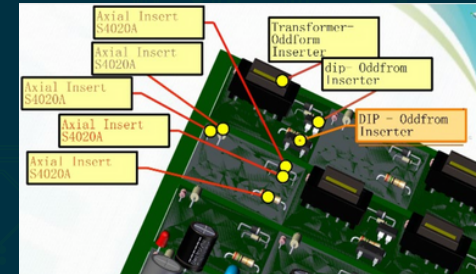


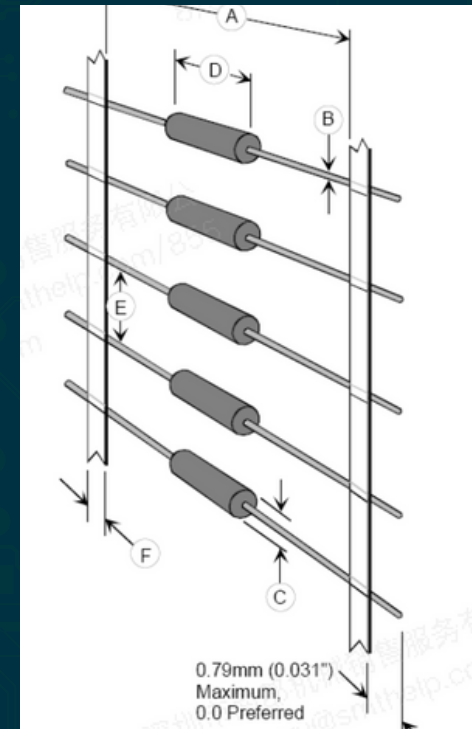


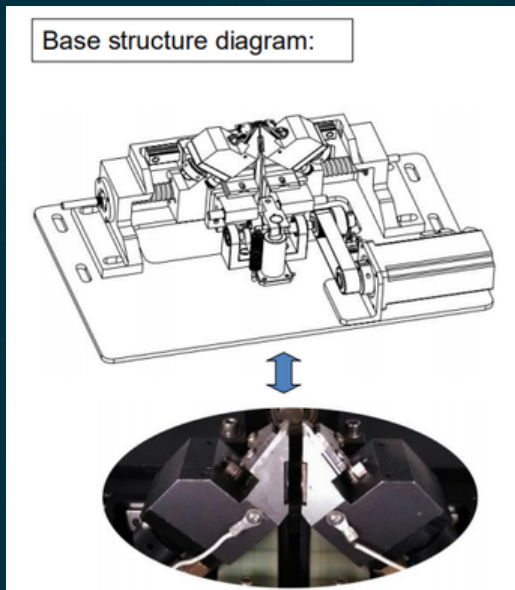
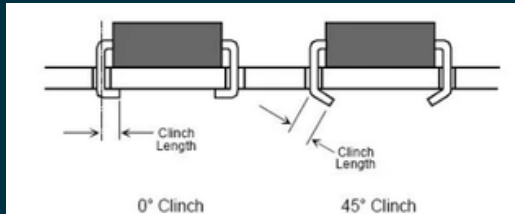
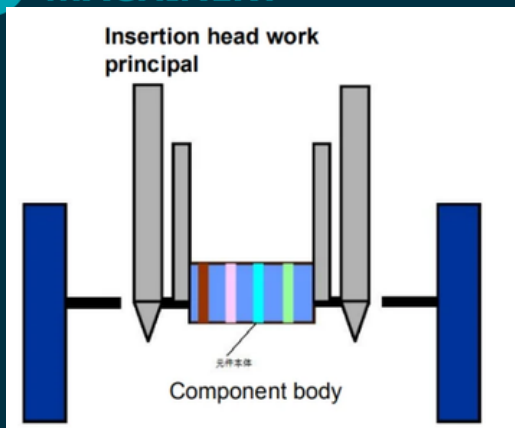
Model	S4000 Axial Inserter
Dimension (mm)	1700 (L) ×1500 (W) ×1600 (H)
Top speed	20,000 CPH (Spec) 10,000 CPH (Actual Speed)
Available PCB Size (mm)	50(L) *50(W) - 400(L) *300(W)
PCB Thickness (mm)	0.79-2.36mm
Component types	Axial tape package; diodes, resistors, jumper wire
Component specifications	Lead Diameter 0.3mm-0.8mm
Component lead span	5.00-20.00mm
Component lead bend angle	any angle (adjustable)
Number of Feeders	5,10,20,30,40,50,60 stations available
Air Source	0.6--0.8MPA
Power Supply	220V, 50Hz 1.6KW
Net Weight (kg)	880KG



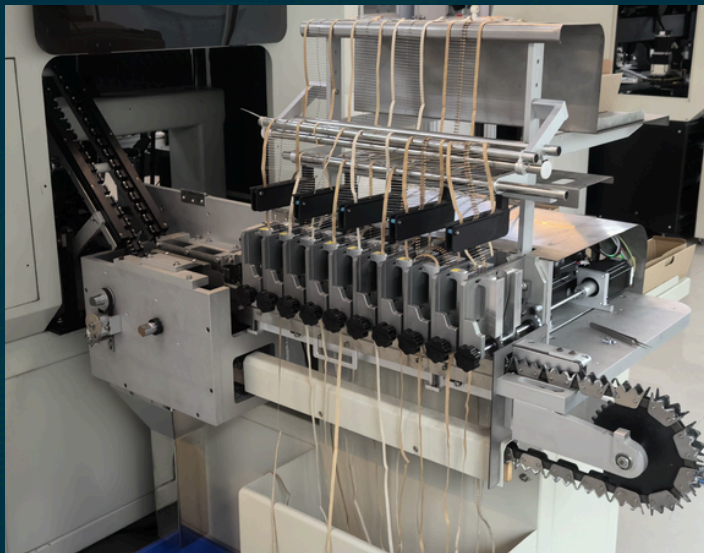
Distance Between Tapes (A)	
Class I	52,4 mm ± 1, 5 mm (2.063 in. ± 0.059 in.)
Class II	63,54 mm ± 1, 5 mm (2.50 in. ± 0.059 in.)

Wire and Component Sizes (B, D)			
Wire or Component	5 mm	Standard	Large Lead
Steel Wire Size ^{1,3} (Min) (B)	0,38 mm (0.015 in.)	0,38 mm (0.015 in.)	0,64 mm (0.025 in.)
Steel Wire Size (Max)	0,81 mm (0.032 in.)	0,81 mm (0.032 in.)	0,81 mm (0.032 in.)
Copper Wire Size ^{1,3} (Min) (B)	0,38 mm (0.015 in.)	0,38 mm (0.015 in.)	0,64 mm (0.025 in.)
Copper Wire Size (Max)	0,81 mm (0.032 in.)	0,81 mm (0.032 in.)	1,07 mm (0.042 in.)
Component Body Diameter ⁴ (Min) (C)	Wire Diameter	Wire Diameter	Wire Diameter

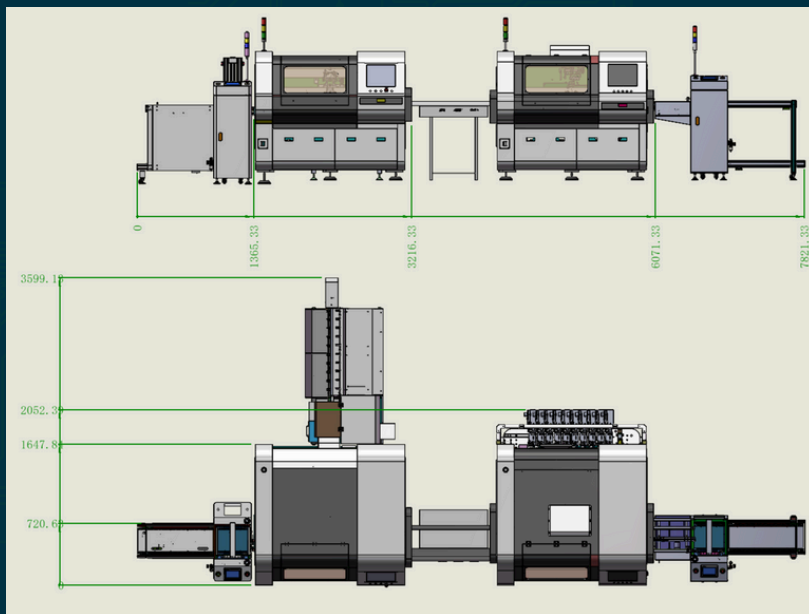
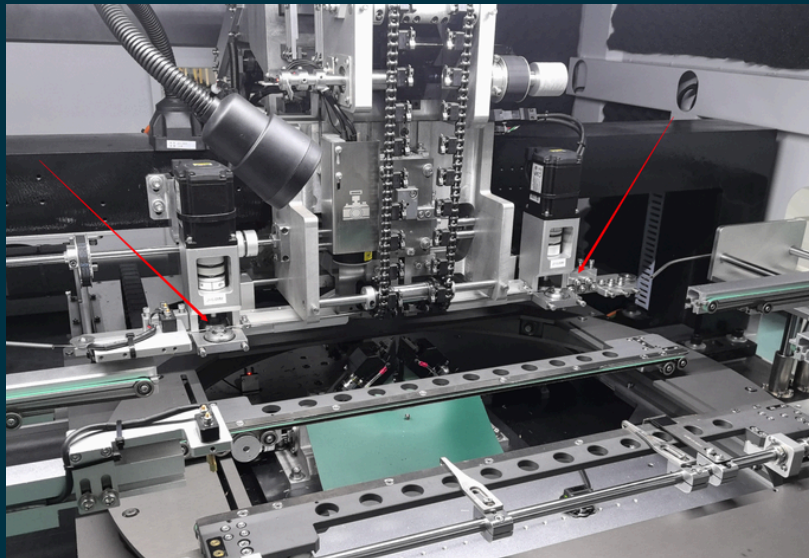




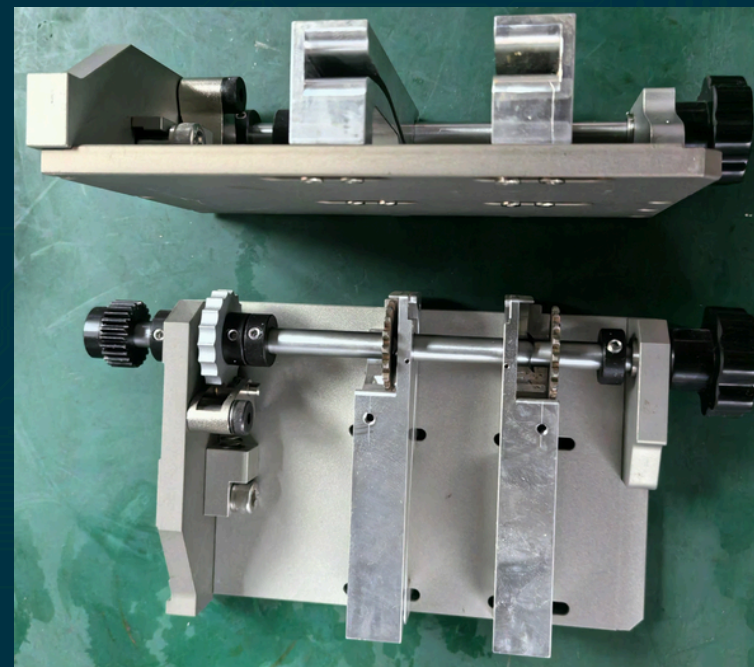
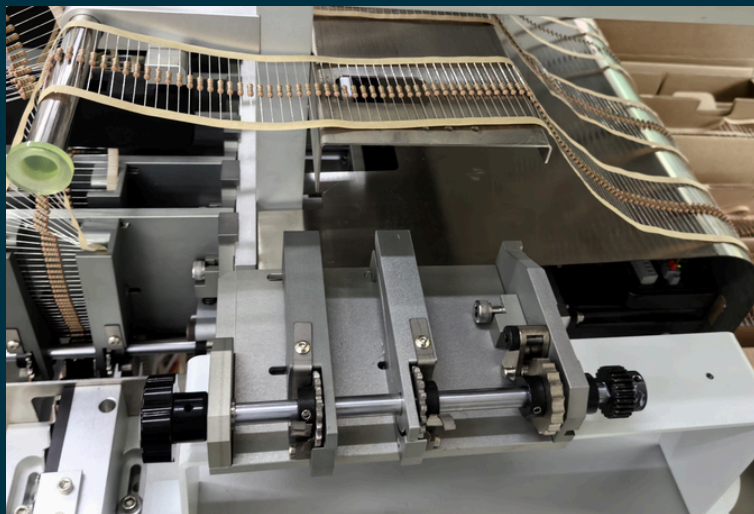
- Windows Operating System: Ensures software compatibility and easy integration with existing systems.
- Industrial Computer and Router: Ensure stable operation and reliable data transfer.
- EtherCAT Bus Motion Control Card: Provides robust and reliable control over the machine's movements.
- MES Compatibility: Ready to integrate smoothly with Manufacturing Execution Systems (MES).



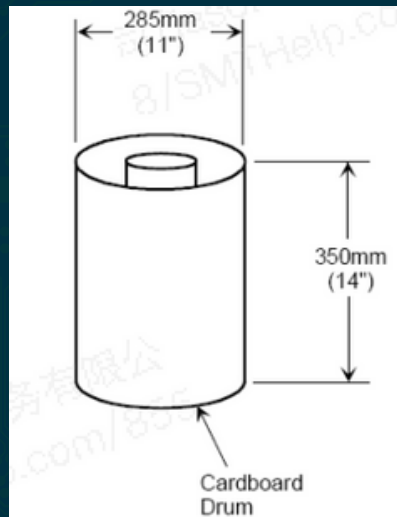
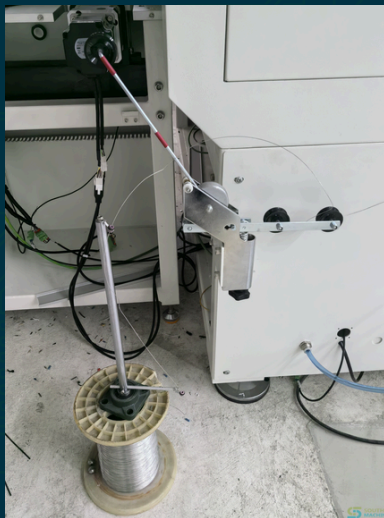
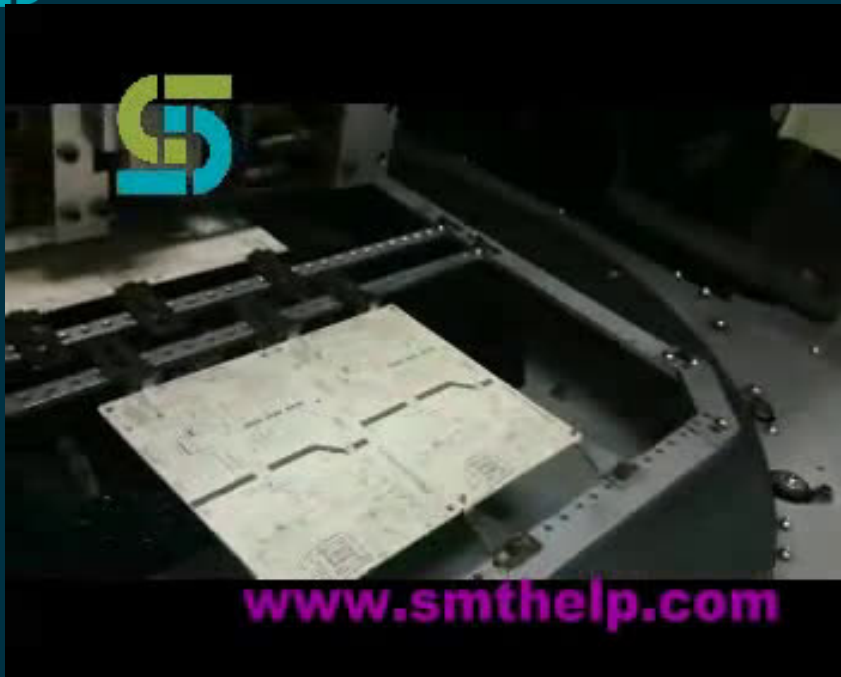
- Full servo-driven technology for precise control and consistent performance
- Drawer-style control box design for easy access and maintenance
- Capable of handling taped resistors, diodes, jumper wires, and other axial lead components
- Advanced automation for high-speed and accurate PCB assembly



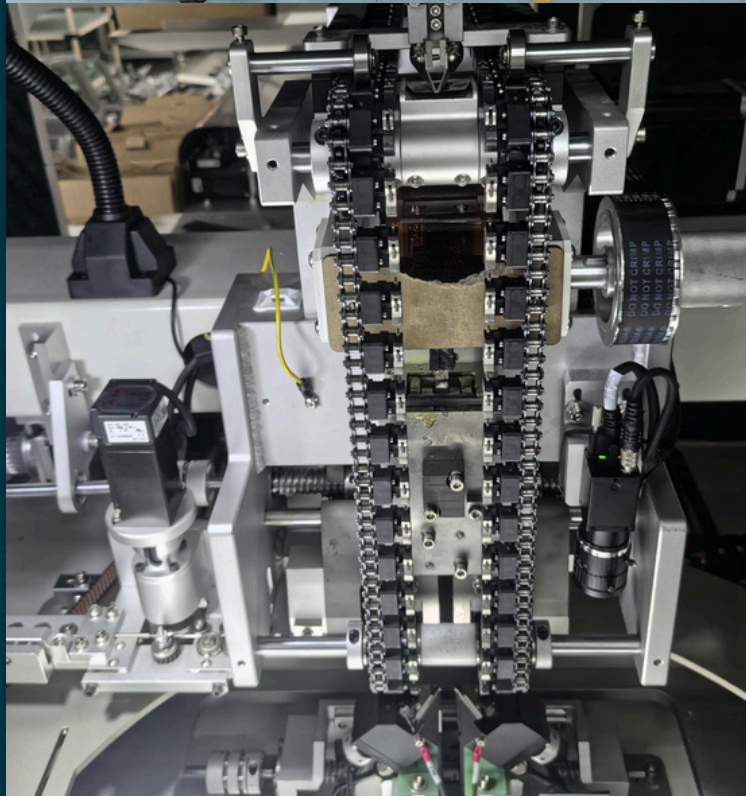
- Dual-feeder capability to handle different specifications of jumper wire (e.g., 0.5mm and 0.6mm)
- Full servo-driven system for precise and reliable insertion
- Drawer-style control box for easy access and simplified maintenance
- Supports direct JW insertion without the need for tapes



- Significant cost savings with an 80% reduction compared to other brands
- Enhanced insertion speed and overall efficiency in PCB assembly
- User-friendly interface simplifies setup and maintenance
- Consistent and reliable insertion minimizes errors and rework



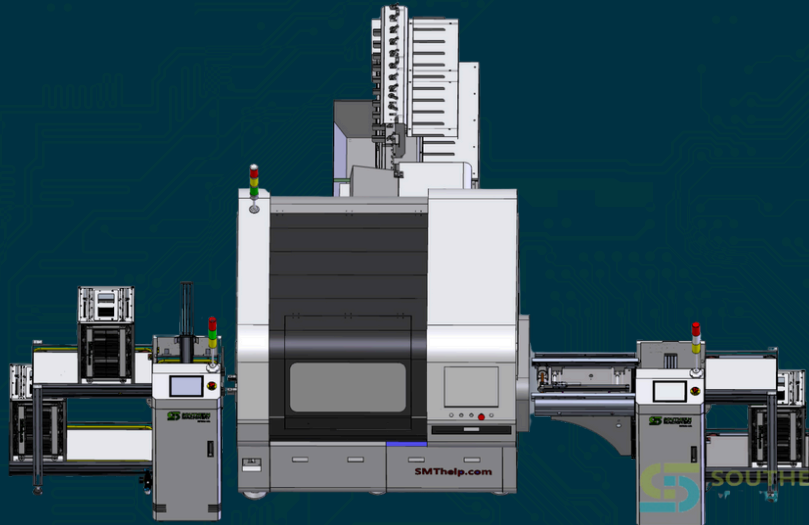
- Optimized for Reel or Drum Style Package Jumper Wire Feeding
- Advanced technology prevents Jumper Wire (JW) jams during production
- Capable of handling a variety of axial lead components including resistors, diodes, and jumper wires
- Full servo-driven control system for precise and reliable operation

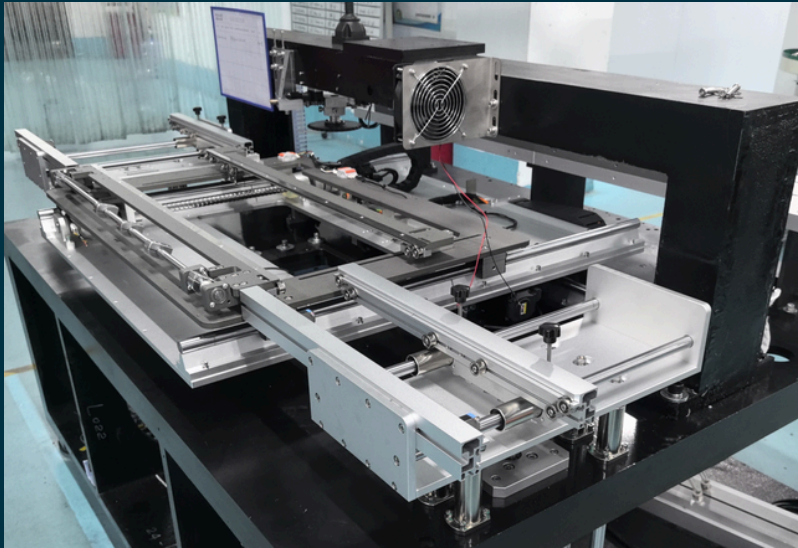


- Modular feeder design enabling flexible combinations from 5 to 60 feeders
- Scalable solution that adapts to different production requirements
- Future-proof design allows for effortless expansion as production grows
- Lower operational and capital costs, boosting overall profitability

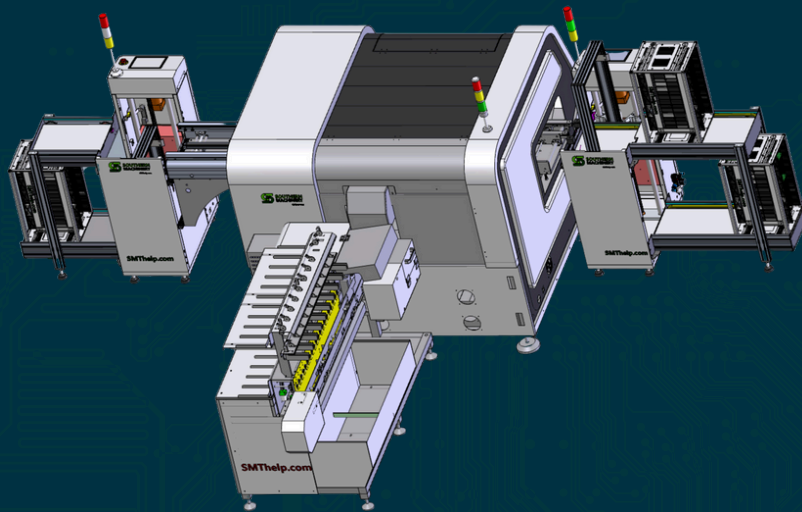


- Free demo production with the provision of 10 bare PCB boards
- Real-time live streaming of machine operation for transparency
- Detailed evaluation report post-demo
- Designed for high-precision insertion of axial lead electronic components





- Standard automated PCB loading device
- Capable of allowing a single operator to manage 3 to 5 machines
- Integrates seamlessly with existing production lines for enhanced workflow
- User-friendly and robust design for easy operation and maintenance

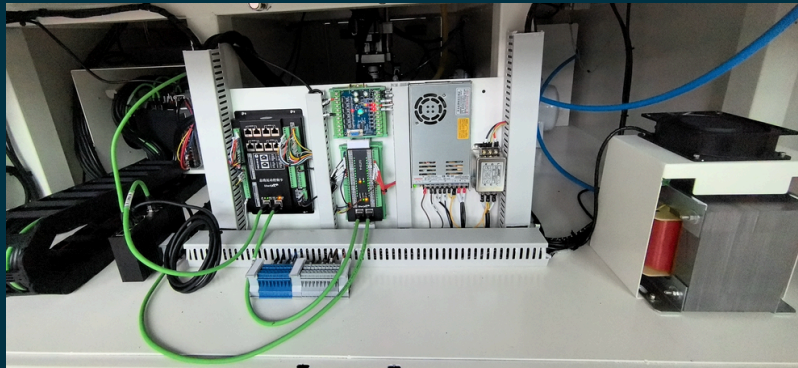
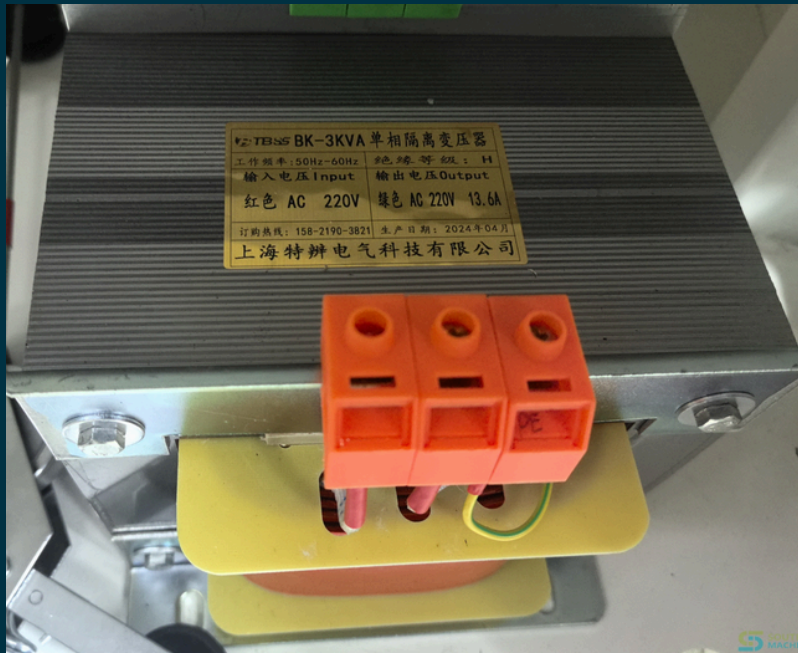




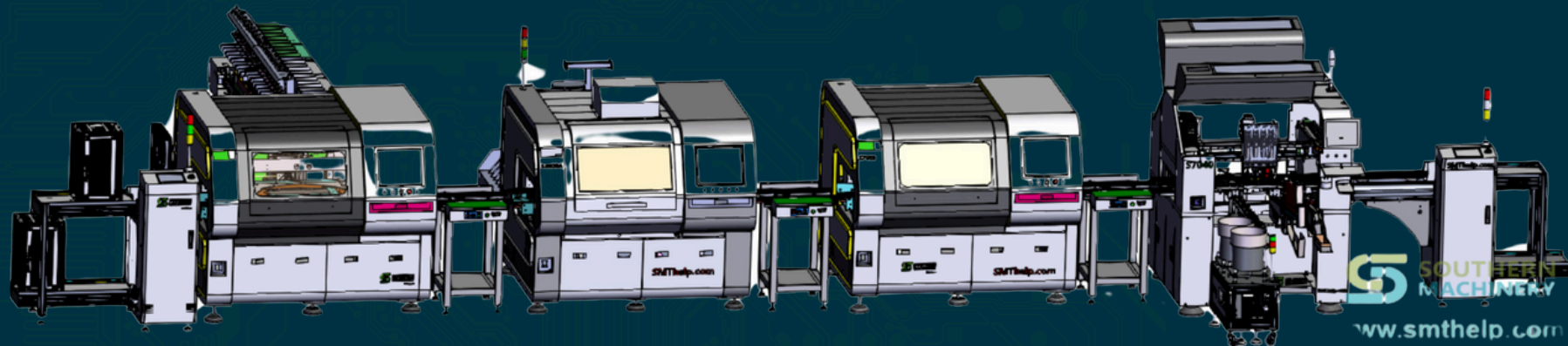
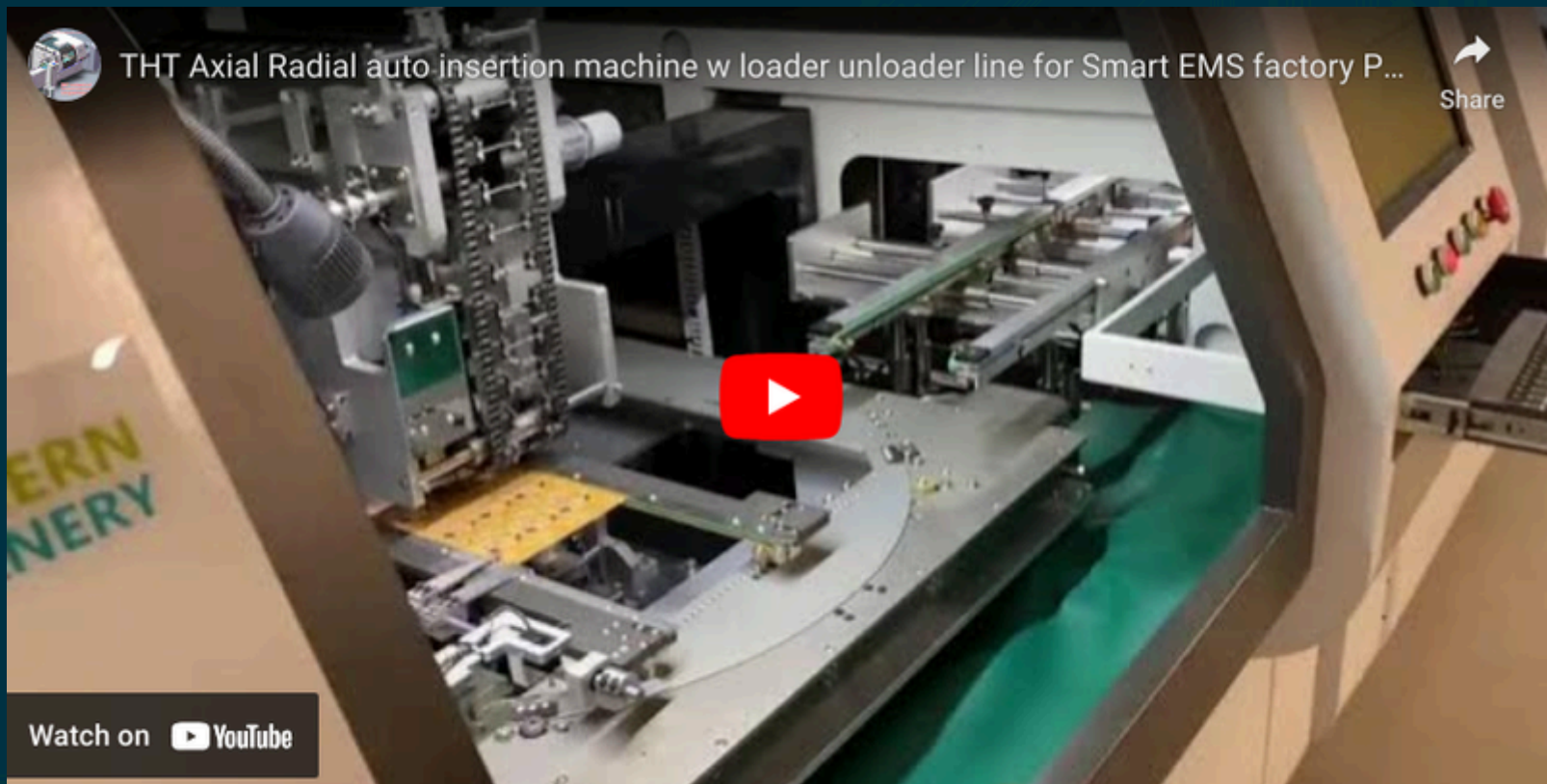
- Ensures stable and consistent quality in PCB assembly
- Reduces downtime and maintenance efforts with user-friendly design



- Enhanced insertion accuracy with servo motor technology
- Easy integration into high-volume production environments



- Minimizes downtime and reduces circuit failures
- Guarantees stable and reliable operation
- Enhances productivity and operational efficiency in PCB assembly
- Easy integration into existing production environments



- 24/7 Worldwide Support
- Free Installation/ Training
- 1 day lead-time (spare parts)
- 1 Month customize solution



Innovative
Features



Unbeatable
Service



Worldwide
for you!



Specialist in small
and medium-sized
manufacturing.



Quality &
innovation at
a fair price.



All from
one hand.

Please visit

www.smthelp.com

Find us more

<https://www.facebook.com/autoinsertion>

Know more our team

<https://cn.linkedin.com/in/smtsupplier>

Welcome to our factory in Shenzhen China

See more machine working video, please Youtube

[Smthelping](https://www.youtube.com/channel/UCmthelping)

Google

Auto+insertion, to get more informations

Looking forward to your email

info@smthelp.com